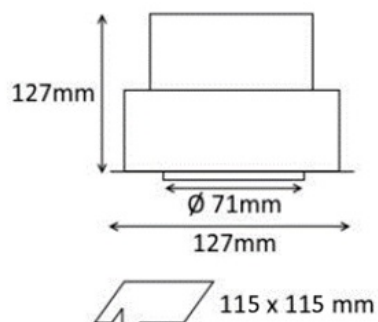
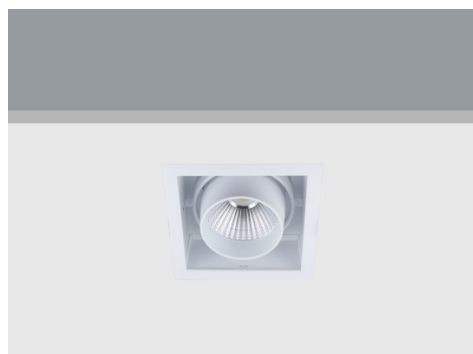


**SKU:** 221.32032



<b>Light Colour</b>	Warm White
<b>Power Rating (W)</b>	20
<b>Light Angle</b>	Flood
<b>Beam Angle</b>	24
<b>Colour (Body)</b>	White
<b>Lumens</b>	2142
<b>Tension (V)</b>	100-250
<b>CRI</b>	90
<b>IP</b>	20
<b>Lumen maintenance (hour)</b>	40000
<b>Inclination Angle</b>	30
<b>Rotation Angle</b>	355
<b>MacAdam Step</b>	3
<b>Zhaga</b>	Y
<b>Double Insulation</b>	Y
<b>Glass</b>	Y
<b>Dimmable</b>	Y
<b>Projector Measurement (mm)</b>	127x127
<b>Projector Weight (kg)</b>	0.8
<b>Projector Box Size (mm)</b>	140x140x155

**PRODUCT DESCRIPTION**

Ceiling-recessed luminaire with aluminum body. Elegant squared design with thin bezel, built-in snoot (for low glare) and orientable LED engine.  
Special body colour, light colour or power available under request.

[print\_product id="PRODUCT\_ID" mode="pdf" show\_icon="no" text="DataSheet Product PDF"]

[Energetic certificate - EPREL](#)

[Declaration of Conformity](#)