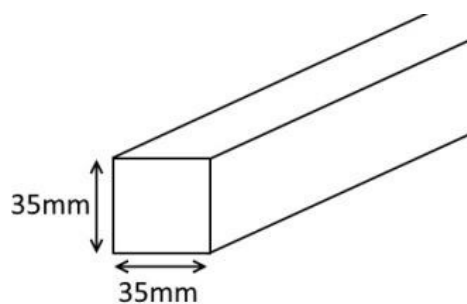


SKU: 821.00001

Colour (Body)

Black

ADDITIONAL INFORMATION



PRODUCT DESCRIPTION

Three-phase aluminum rail for feeding in parallel of multiple projectors.
It has 3m length where 7cm are for the feeder.
230 / 400V - 16A 3X3600W 50Hz.
3 circuits + neutral + earth.
With feeder and top included.
Maximum permissible weight: 20kg / m.

[print_product id="PRODUCT_ID" mode="pdf" show_icon="no" text="DataSheet Product PDF"]

[Energetic certificate - EPREL](#)

[Declaration of Conformity](#)