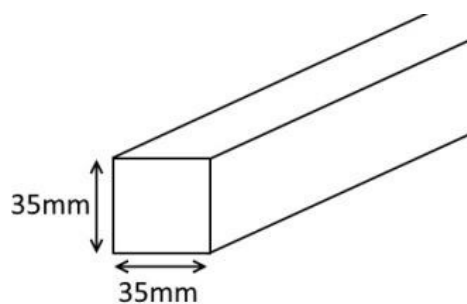


**SKU:** 821.00002

**Colour (Body)**

White

**ADDITIONAL INFORMATION**



**PRODUCT DESCRIPTION**

Three-phase aluminum rail for feeding in parallel of multiple projectors.  
It has 3m length where 7cm are for the feeder.  
230 / 400V - 16A 3X3600W 50Hz.  
3 circuits + neutral + earth.  
With feeder and top included.  
Maximum permissible weight: 20kg / m.

[print\_product id="PRODUCT\_ID" mode="pdf" show\_icon="no" text="DataSheet Product PDF"]

[Energetic certificate - EPREL](#)

[Declaration of Conformity](#)